

JCR1

Self-priming "JET" pumps

 Clean water

 Domestic use



PERFORMANCE RANGE

- Flow rate up to **60 l/min** (3.6 m³/h)
- Head up to **48 m**

APPLICATION LIMITS

- Manometric suction lift up to **9 m** (HS)
- Liquid temperature between **-10 °C** and **+40 °C**
- Ambient temperature up to **+40 °C**
- Max. working pressure **6 bar**
- Continuous service **S1**

CONSTRUCTION AND SAFETY STANDARDS

EN 60335-1
IEC 60335-1
CEI 61-150

EN 60034-1
IEC 60034-1
CEI 2-3



CERTIFICATIONS

Company with management system
certified DNV ISO 9001: QUALITY



INSTALLATION AND USE

Suitable for use with clean water and with liquids that are not chemically aggressive towards the materials from which the pump is made. The self-priming **JCR** pumps are designed to pump water even in cases where air is present. Because of their reliability and the fact that they are easy to use, they are recommended for use in domestic applications such as the distribution of water in combination with small or medium sized pressure tanks, and for the irrigation of gardens and orchards, etc. Installation needs to be undertaken in well ventilated closed areas or anyway protected from bad weather.

PATENTS - TRADE MARKS - MODELS

- European Patent n. 1 510 696

OPTIONS AVAILABLE ON REQUEST

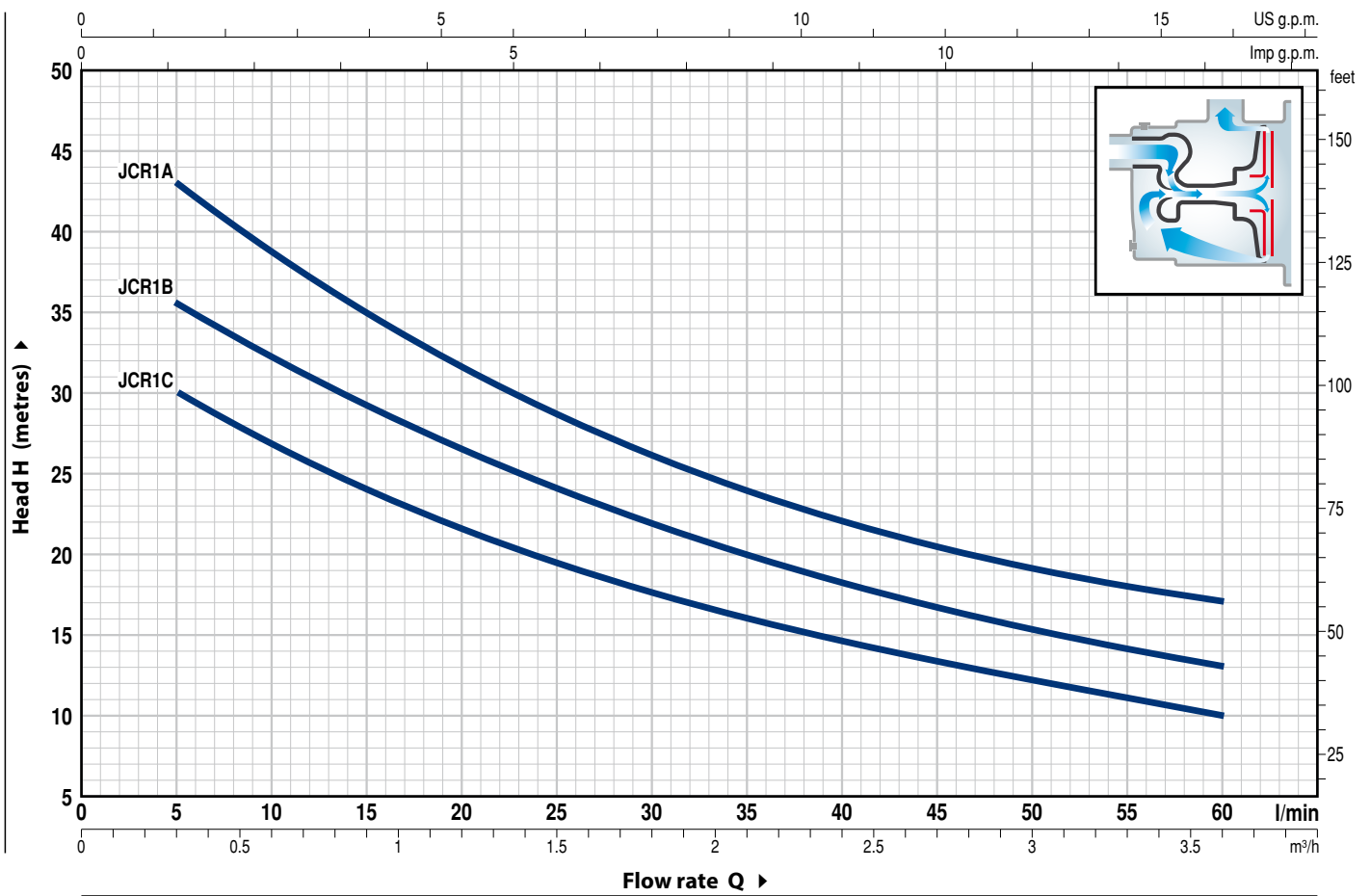
- Other voltages or 60 Hz frequency

- WRAS certified electric waterpump



CHARACTERISTIC CURVES AND PERFORMANCE DATA

50 Hz n= 2900 min⁻¹ HS= 0 m



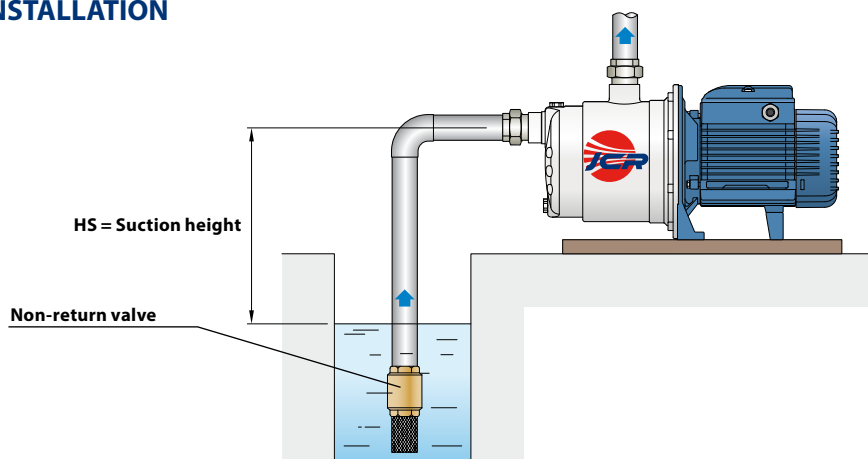
MODEL		POWER (P ₂)			Q	Flow rate									
Single-phase	Three-phase	kW	HP	▲		m ³ /h	0	0.3	0.6	1.2	1.5	1.8	2.4	2.7	3.0
					l/min	0	5	10	20	25	30	40	45	50	60
JCRm 1C	JCR 1C	0.37	0.50	IE2	H metres	34	30	27	21.7	19.5	17.7	14.7	13.4	12.2	10
JCRm 1B	JCR 1B	0.48	0.65			39.5	35.5	32.4	26.6	24.2	22	18.3	16.7	15.3	13
JCRm 1A	JCR 1A	0.55	0.75	IE3		48	43	39	31.5	28.5	26	22	20.5	19	17

Q = Flow rate H = Total manometric head HS = Suction height



Tolerance of characteristic curves in compliance with EN ISO 9906 Grade 3B.

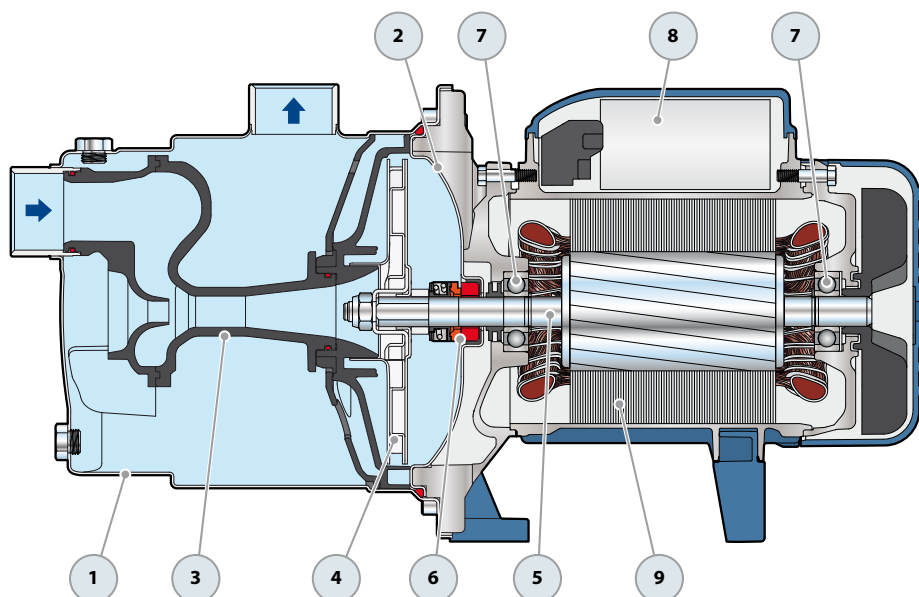
▲ Three-phase motor efficiency class (IEC 60034-30-1)

TYPICAL INSTALLATION

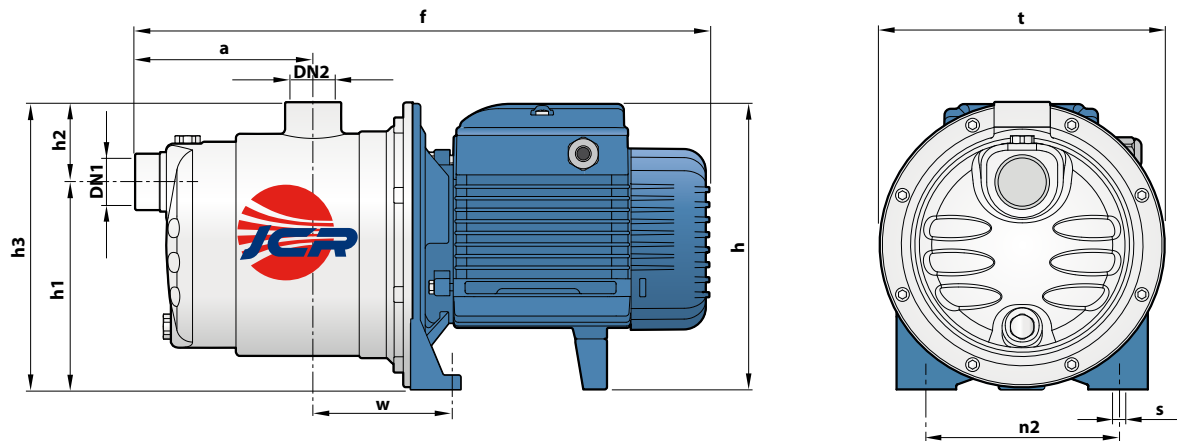


POS. COMPONENT CONSTRUCTION CHARACTERISTICS

1	PUMP BODY	Stainless steel AISI 304 complete with threaded ports in compliance with ISO 228/1				
2	BODY BACKPLATE	Stainless steel AISI 304				
3	NOZZLE ASSEMBLY	Noryl				
4	IMPELLER	Stainless steel AISI 304				
5	MOTOR SHAFT	Stainless steel AISI 431				
6	MECHANICAL SEAL	<i>Seal Model</i> AR-12	<i>Shaft Diameter</i> Ø 12 mm	<i>Stationary ring</i> Ceramic	<i>Rotational ring</i> Graphite	<i>Elastomer</i> NBR
7	BEARINGS	6201 ZZ / 6201 ZZ				
8	CAPACITOR	EN 60252-1/A1  				
9	ELECTRIC MOTOR	<p>JCRm: single-phase 230 V - 50 Hz with thermal overload protector incorporated into the winding. JCR: three-phase 230/400 V - 50 Hz.</p> <p>⇒ The three-phase pumps are fitted with high performance motors up to P₂=0.48 kW in class IE2 and from P₂=0.55 kW in class IE3 (IEC 60034-30-1)</p> <ul style="list-style-type: none"> - Insulation: class F - Protection: IP X4 				



DIMENSIONS AND WEIGHT



MODEL		PORTS		DIMENSIONS mm										kg	
Single-phase	Three-phase	DN1	DN2	a	f	h	h1	h2	h3	t	n2	w	s	1~	3~
JCRm 1C	JCR 1C	1"	1"	113	367	183	132	51	183	182	120	87	9	6.9	7.0
JCRm 1B	JCR 1B													6.9	6.9
JCRm 1A	JCR 1A													7.6	6.9

ABSORPTION

MODEL	VOLTAGE		
Single-phase	230 V	240 V	110 V
JCRm 1C	2.5 A	2.4 A	5.0 A
JCRm 1B	3.0 A	2.9 A	6.0 A
JCRm 1A	3.6 A	3.3 A	7.3 A

MODEL	VOLTAGE					
Three-phase	230 V	400 V	690 V	240 V	415 V	720 V
JCR 1C	1.7 A	1.0 A	0.6 A	1.7 A	1.0 A	0.6 A
JCR 1B	2.1 A	1.2 A	0.7 A	2.1 A	1.2 A	0.7 A
JCR 1A	2.8 A	1.6 A	0.9 A	2.8 A	1.6 A	0.9 A

CAPACITORS

MODEL	CAPACITANCE	
Single-phase	230 V or 240 V	110 V
JCRm 1C	10 μ F - 450 VL	25 μ F - 450 VL
JCRm 1B	12.5 μ F - 450 VL	25 μ F - 450 VL
JCRm 1A	14 μ F - 450 VL	25 μ F - 450 VL

PALLETIZATION

MODEL		GROUPAGE	CONTAINER
Single-phase	Three-phase	n. pumps	n. pumps
JCRm 1C	JCR 1C	84	108
JCRm 1B	JCR 1B	84	108
JCRm 1A	JCR 1A	84	108