

DECLARATION OF CONFORMITY



0026



PLEASE KEEP THIS DOCUMENT IN A SAFE PLACE

We ensure and declare on our own responsibility that this pressure vessel satisfies all requirements of the European Directive for Pressure Equipment 97/23/EC, following module B+D (internal production control) as conformity assessment procedure.

Quality Coördinator,



Lieven Wagemans

WM-0090-01

Pentair Water Belgium bvba
Industriepark Wolfstee
Toekomstlaan 30
B-2200 Herentals
Belgium
T +32(0)14/259911
F +32(0)14/259975
mailto:mail@pentair.com

TANK SIZE	VOLUME in liter	DIMENSIONS in mm								
		D	d	L	Lt	L1	L2	L3	r	R
WM 600	600	770	98	1530	1748	274	278	164	201	690
WM 750	750	770	98	1838	2056	274	251	150	201	690
WM1000	1000	922	98	1882	2115	311	298	180	252	916.3

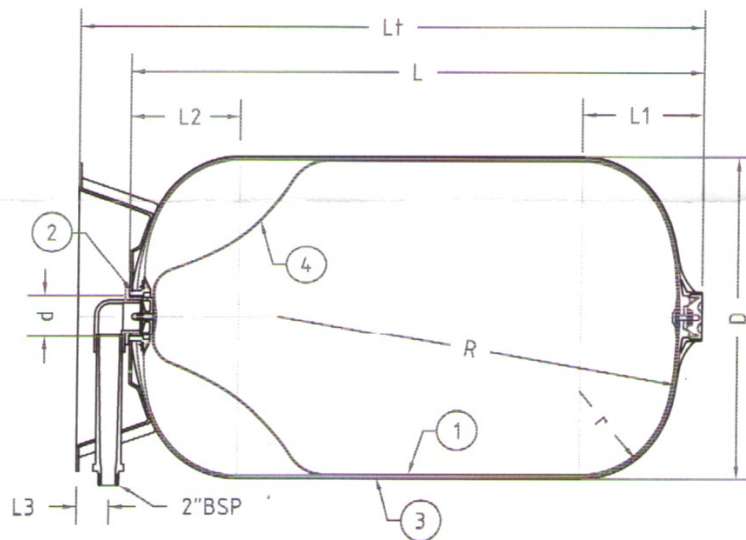
Deviations from the upper table are possible



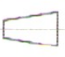
④	Air cell	Polyetherurethane
③	Laminate	Glass reinforced epoxy
②	Inlet adaptor	Glass reinforced HDPE
①	Liner	LLDPE
	NAME	MATERIAL

Manufactured by : Pentair Water Belgium
 Operating pressure : 0 - 10 Bar
 Test pressure : 11 Bar
 Burst pressure : 40 Bar
 Operating temperature : Min 1°C - Max 50°C

Applications : water treatment, drinking, process and waste water installations.
 Not suited for vacuum.

Thread and sealing specifications are to be checked against Pentair Water specifications.



a	Replace inlet X-43-420B by X-43-420C and adjust dimensions	LVdS	03/10/02
Revision	Revision description	Drawn	Date
 Pentair Water Industriepark Wolfstee Toekomstlaan 30 HERENTALS BELGIUM	Article :	Scale :	none
	Cad filename :	Date :	8 May 2002
	Model filename :	Drawn :	Ludo Van den Schoor
	Remarks :	Approved :	P.K.
	Material :	Projection :	  A 4
Description :		Drawing number :	
PED LIST FOR WELLMATE COMP. TANKS		CS-00-0-077a	

This drawing is the absolute property of Pentair Water Belgium. It may not be reproduced in any form without the written permission of Pentair Water Belgium.